

# TRI-PAK T-600 SERIES COMPACTORS

## MECHANICAL

	T-600	T-600HD	T-600XHD	T-600X
CHARGE CHAMBER VOLUME	6.0	6.0	6.0	6.0
CHARGE CHAMBER OPENING SIZE	96" x 78"	96" x 78"	96" x 78"	96" x 78"
RAM FACE SIZE	36" x 60"	36" x 60"	36" x 60"	36" x 60"
RAM PENETRATION	24"	24"	24"	24"
COMPACTION FORCE NORMAL	56,500 lbs	76,930 lbs	113,000 lbs	63,585 lbs
COMPACTION FORCE MAXIMUM	62,172 lbs	88,470 lbs	124,344 lbs	69,945 lbs
CYCLE TIME	63 seconds	73 seconds	63 seconds	63 seconds
SYSTEM PRESSURE NORMAL	2,000 psi	2,000 psi	2,000 psi	2,000 psi
SYSTEM PRESSURE MAXIMUM	2,200 psi	2,200 psi	2,200 psi	2,200 psi
PUMP CAPACITY	20 gpm	25 gpm	30 gpm	20 gpm
MOTOR SIZE	30 hp	30 hp	40 hp	30 hp
CYLINDER SIZE	1 x 6"Ø	1 x 7"Ø	2 x 6"Ø	2 x 5"Ø
CYLINDER TYPE	Double Acting	Double Acting	Double Acting	Double Acting
RAM FACE PRESSURE NORMAL	20.1 psi	27.4 psi	40.2 psi	22.6 psi
RAM FACE PRESSURE MAXIMUM	22.1 psi	31.5 psi	44.3 psi	24.9 psi
OIL TANK CAPACITY	75 gal	75 gal	200 gal	75 gal
SHIPPING WEIGHT	11,850 lbs	13,050 lbs	15,950 lbs	11,850 lbs

## ELECTRICAL

CONTROL SYSTEM	110 VOLT 60 CYCLE POWERED BY STEP-DOWN TRANSFORMER
CONTROL PANEL	FULLY WIRED. KEYED START BUTTON, EMERGENCY STOP, FULL LIGHT, RESET BUTTON, PLC, CURRENT SENSOR
POWER	208/230/575 VOLT, 3 PHASE 60 CYCLE

## DIMENSIONS

	A	B	C	D	E
T-600	249"	48"	90"	96"	78"
T-600HD	249"	48"	90"	96"	78"
T-600XHD	249"	48"	90"	96"	78"
T-600X	223"	48"	90"	96"	78"

## STANDARD FEATURES

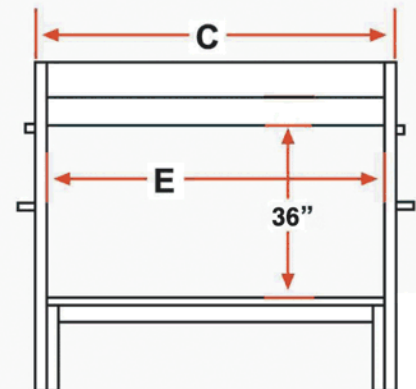
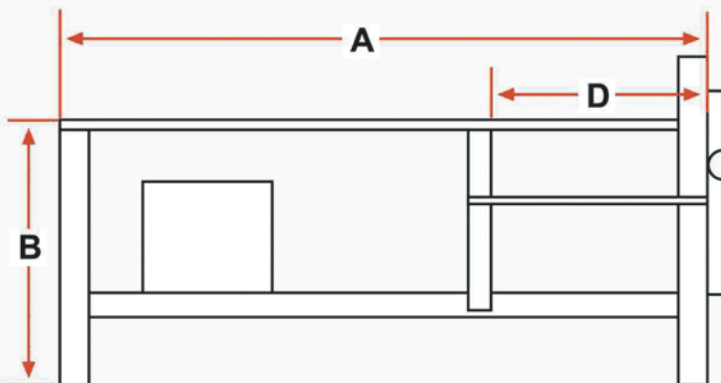
- ▶ CSA Approved Design
- ▶ Heavy Duty Oil - tight Pushbutton Controls
- ▶ Key Lockable Start Pushbutton
- ▶ Automatic Multi - cycle Operation
- ▶ PLC Controlled System
- ▶ Full - Container Light

## OPTIONAL EQUIPMENT

- ▶ Advance - warning Light
- ▶ Fluid - filled Pressure Gauge
- ▶ Oil Heater
- ▶ Odor Control System
- ▶ Open Hopper -(for top or dock loading)
- ▶ Fully Enclosed Hopper with Door
- ▶ Through the Wall Installation Kits
- ▶ Walk-on or Drive-on Decks
- ▶ Safety Gate
- ▶ Hydraulic Cart-dump Systems

This Equipment is CSA Approved and  
Conforms to all Current ANSI Z245.2  
Safety Standards.

In order to provide the most currently engineered and designed  
equipment, We reserve the right to change specifications without notice.  
This brochure is intended to provide information only, and should not  
be used in an arbitrary manner to judge equipment for any particular purpose.



  
**REACTION**  
DISTRIBUTING INC.  
**THE TREND SETTERS**

DISTRIBUTED BY: